

8 inch MF driver

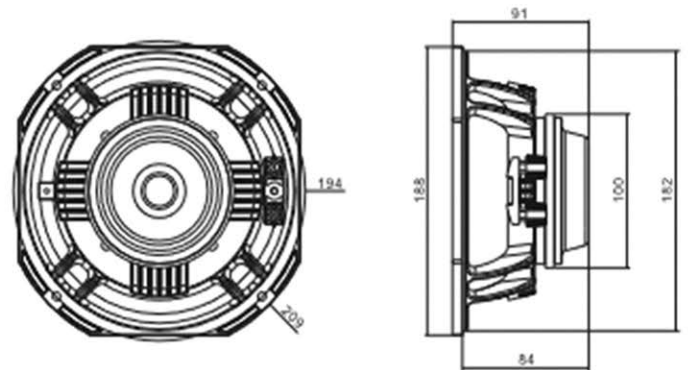
Features

- 2in Voicecoil
- Flat Frequency Response



Specifications

Nominal Diameter	200mm (8in)
Nominal Power (AES) ¹	200W
Program Power ²	400W
Sensitivity (1W/1m) ³	94dB
Voice Coil Diameter	52mm (2in)
Magnet Material	Neodymium
Nominal Impedance	16Ω
Frequency Range	90 - 4000Hz



Thiele & Small Parameters

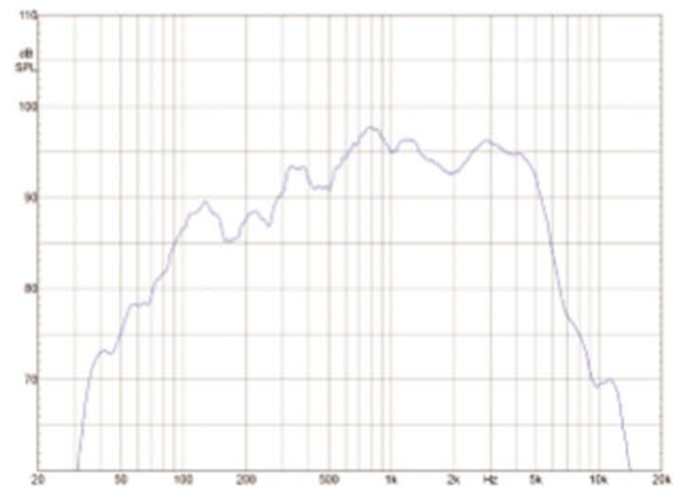
Fs	90.6Hz
Qes	0.65
Qts	0.59
Qms	6.7
Re	10.2Ω
Sd	214cm ²
Vas	9.6L
BxL	13.6Tm
Mms	20.7g
Le (1kHz)	0.61mH
Xmax (lin.) ⁴	±3.75mm

Mounting Information

Overall Diameter	209mm
Mounting Holes Diameter	4x 5.5mm
Bolt Circle Diameter	194mm
Baffle Cutout	184mm
Overall Depth	91mm
Net Weight	1.9kg

Notes: 1 2 hours test with pink noise (6dB crest) between Fs and 10Fs. Power calculated on rated minimum impedance.
2 Program Power is defined as 3dB greater than the AES Power
3 RMS Voltage set to 2.83V at nominal impedance
4 Xmax is defined as $(H_c - H_g)/2$

Frequency response measured in free air



Impedance for 16Ω driver

